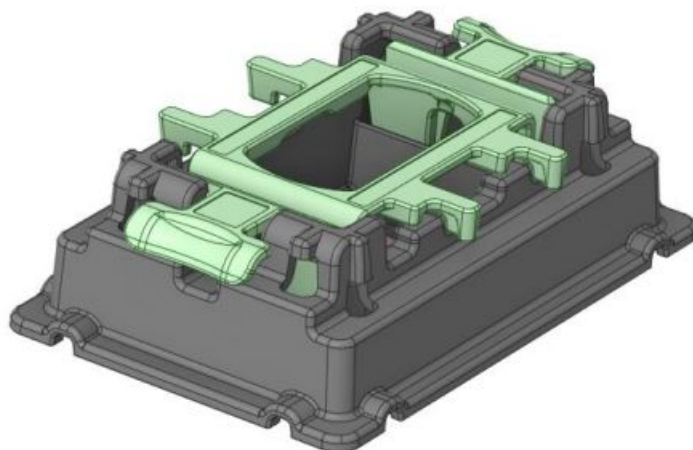


Certificate

subject: Wind forces on PVX Minimount
date: December 14nd, 2021
reference: MvU/W 15390-7E-NO-001
from: ir. G.M. van Uffelen, Peutz bv

By order of PVX Multimount of Gorinchem, The Netherlands, a theoretical check has been undertaken into the wind loading on the PVX Minimount, based upon wind tunnel testing we have performed earlier on a Multimount flat roof installation system. We have elaborated the results of these wind tunnel studies into a calculation tool and applied that to the Minimount, which has a comparable shape, but for tilted roofs. The translation from a flat roof to a tilted roof has been done with the shape factors from NEN-EN 1991-1-4:2019. The wind load calculation as laid down by HIH Engineering in their report ""25-05-2021 PVX Multimount FEM analysis Minimount 11437"" has been verified with our findings. Thus, it has been confirmed that with the material PA6GF30 the Minimount conforms to the representative peak wind pressures as prescribed in NEN-EN 1991-1-4: 2019.



PVX Minimount

Conformity: CUR Recommendation 103: 2005
NEN 7250: 2014
NEN-EN 1990: 2019
NEN-EN 1991-1-4: 2019



Mook,